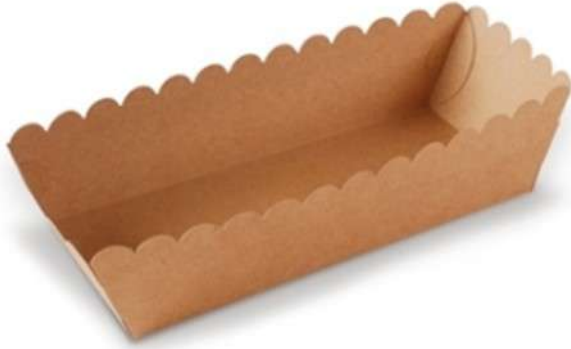


Automatic punnet tray formers from TecnoBox are compact, easy to use and can erect both four-sided & eight-sided top seal punnets



TBQ-PACK is the latest compact punnet tray former machine from TecnoBox.



TBQ-PACK erects a wide range of punnet trays, including four-sided & eight-sided corrugated cardboard top seal punnet trays using hotmelt glue.



Precision glue lines thanks to an innovative combination of modules and pistols for erecting four and eight sided top seal punnets.



Dual forming heads able to erect two different punnet styles at the same time.

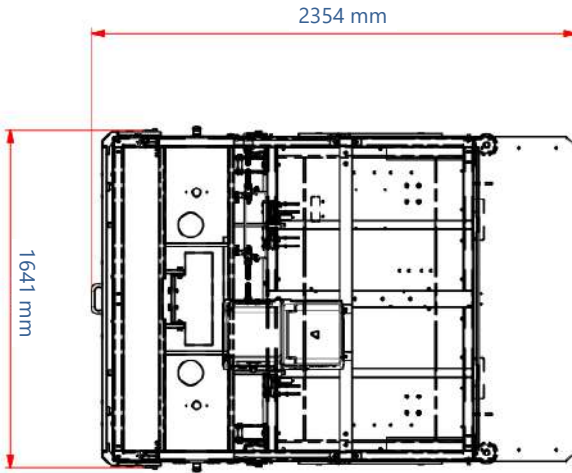


Easy to transport & position. TBQ-PACK machines are fitted with wheels & are compatible for manoeuvring with a forklift or pallet jack for easy mobility between pack houses or erecting centres.

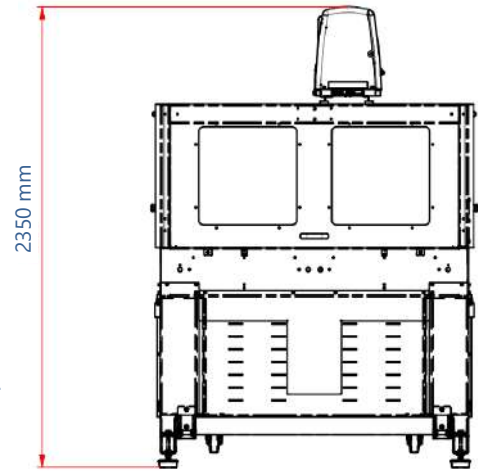


Punnets made from corrugated cardboard packaging are 100% recyclable and come from sustainable resources. Punnets are ideal for small fruit, single serve fruit portions, top sealing applications & much more.

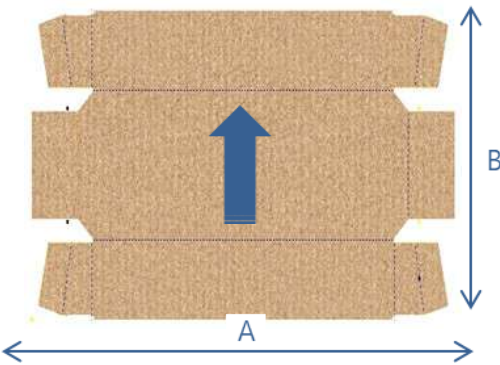
Machine Dimensions



Machine weight
tbc Kgs*

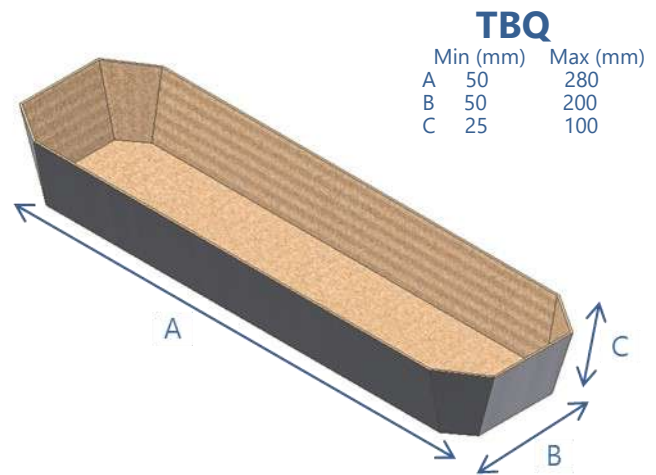


Punnet tray dimensions



TBQ

	Min (mm)	Max (mm)
A	110	500
B	90	600



TBQ

	Min (mm)	Max (mm)
A	50	280
B	50	200
C	25	100

TBQ specifications & options

- Total machine max cycle speed 12000 cycles/hour
- Up to 6000 trays/hour per head with programed machine variable speed adjustments – (10% to 100%), using two independent driver motors
- Variable speed driver in the machine's mandrel
- Hopper capacity 375 (depending on tray size)
- Robust 4mm chassis with counterweights
- PLC (Omron) controlled glue timings to increase precision and provide greater contact time using
- On screen alarms and visual notifications
- Positioning wheels
- Meler 5Kg melter. Can be combined with glue autofeeder
- Independent glue guns & programable shutdown
- SMC pneumatics
- Machine pneumatics with automatic water purge
- Machine auto-synchronises to ZERO point
- Doors fitted with OP safety switches
- Machine hopper fitted with sensors.
- ISO 9001 compliant pneumatics
- External air connection
- Standard toboggan exit chute or exit conveyer belt (optional)
- Top Seal tray designs require a special (factory installed) glue kit.

All Illustrations, descriptions and technical specifications detailed in this document that refer to the machine model, equipment, kits, technical characteristics, accessories, tray production speeds and machine configuration are considered correct at the time of publication. TecnoBox reserves the right to modify, update or remove any information without notice. For information related to specific tray characteristics and tray performance, please consult with TecnoBox or their authorised machine dealer directly.